

# 樹莓派紅外線環境安全偵測

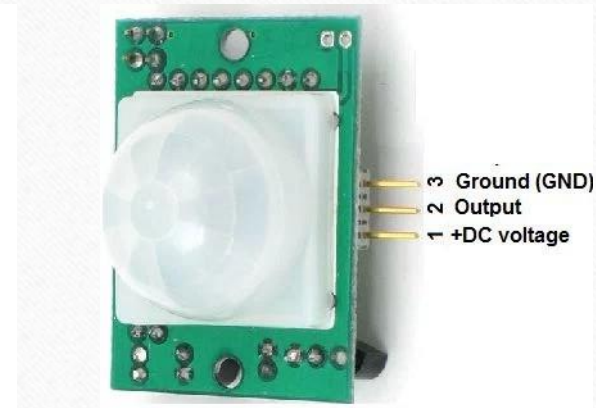
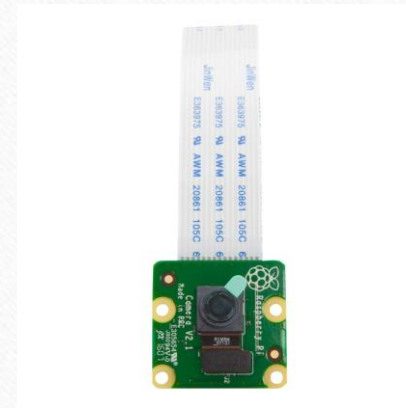
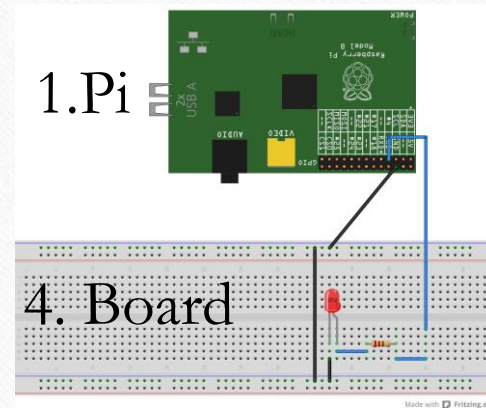
Infrared Sensor with Raspberry Pi

105062336 洪崗竣

105063138 林啟陽

# Materials

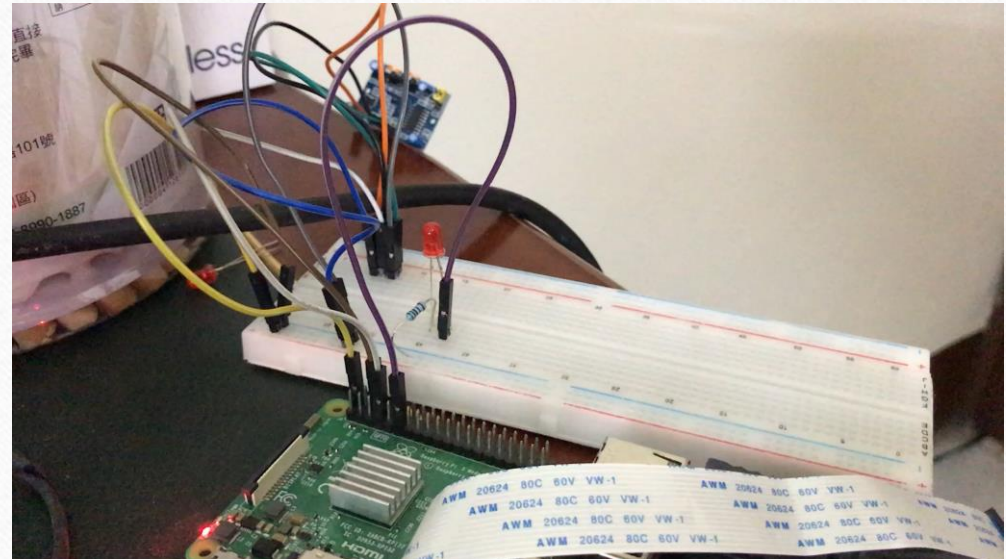
- Pi \* 1
- Camera \* 1
- PIR \* 1
- Board \* 1
- DuPont lines
- LEDs





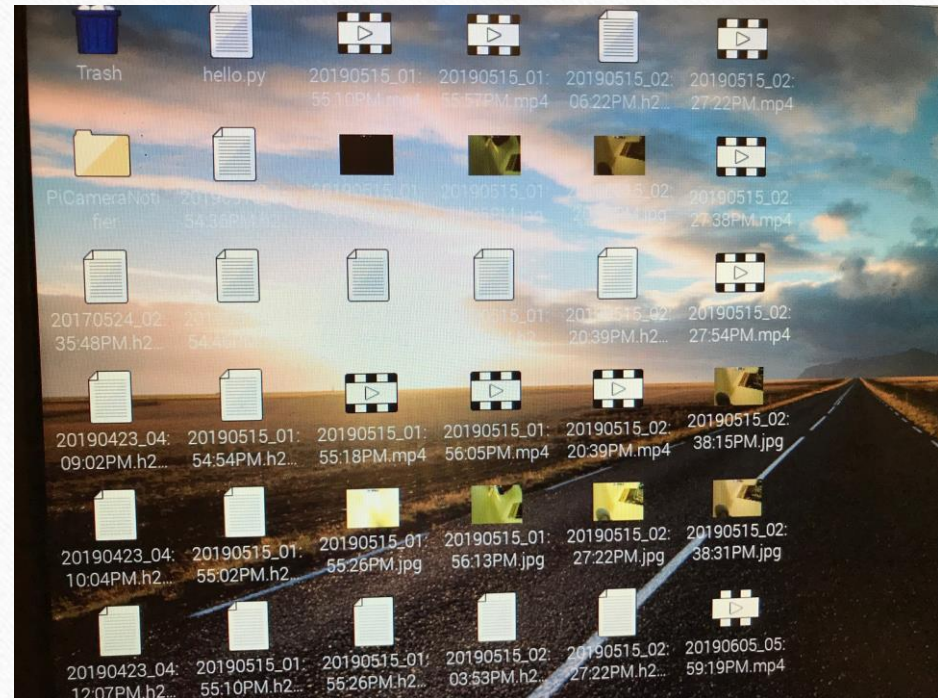
# Trigger Camera

- With objects approaching Pi, the PIR installed on Pi will detect the object and trigger the camera and LED to capture the scheme.



# Pi Itself

- Even without Internet, pi can store the videos and images that captured by picamera. Then you can take them as proofs.





# Audio on Pi

- If you want to scare the strangers, preventing he or she stealing things from you. Then you can get the speakers connected. We have already set a default sound to warn the strangers.



# Lower Price of Security System

- Pi \* 1 \$1440
  - Camera \* 1 \$ 960
  - PIR \* 1 \$ 17
  - Board \* 1 \$ 40
  - DuPont lines \$ 8
  - LEDs \$ 1
- \$2466



㊤超值搶購↘8折

**HD 1080P 4路1支監控套餐 高清  
 12顆 K1紅外線防護罩攝影機 ( 2.8 - 12mm ) SO  
 NY晶片 支援 AHD1080P/720P及傳統類比攝影  
 機 UTC**

- AHD 4路11080P主機+1支1080P攝影機
- 支援數位AHD1080P/720P及傳統類比攝影機
- 攝影機採用SONY 1080P高清晶片
- 可調式鏡頭2.8~12mm
- 支援手機遠端監控
- 本商品不含硬碟與線材

3期0利率	31家	6期0利率	31家
		12期分期	6家

原售價 \$8800

特價 \$4479

VISA 信用卡紅利折抵刷卡金 多家銀行  
 PChome儲值

LINE Pay Apple Pay 拍錢包

街口支付 入TEE